



eltic-Plus⁺

Smart Connected World



Celtic-Plus Event
28-29 April 2016, Stockholm

Innovate With AKA in Prince Edward Island - Canada

*Michael Bonga, Aspin Kemp & Associates, Technology Partner
Mikebonga@aka-group.com*





ASPIN KEMP & ASSOCIATES



Celtic-Plus



Worlds First Hybrid Drill-ship

AKA MICRO-GRID





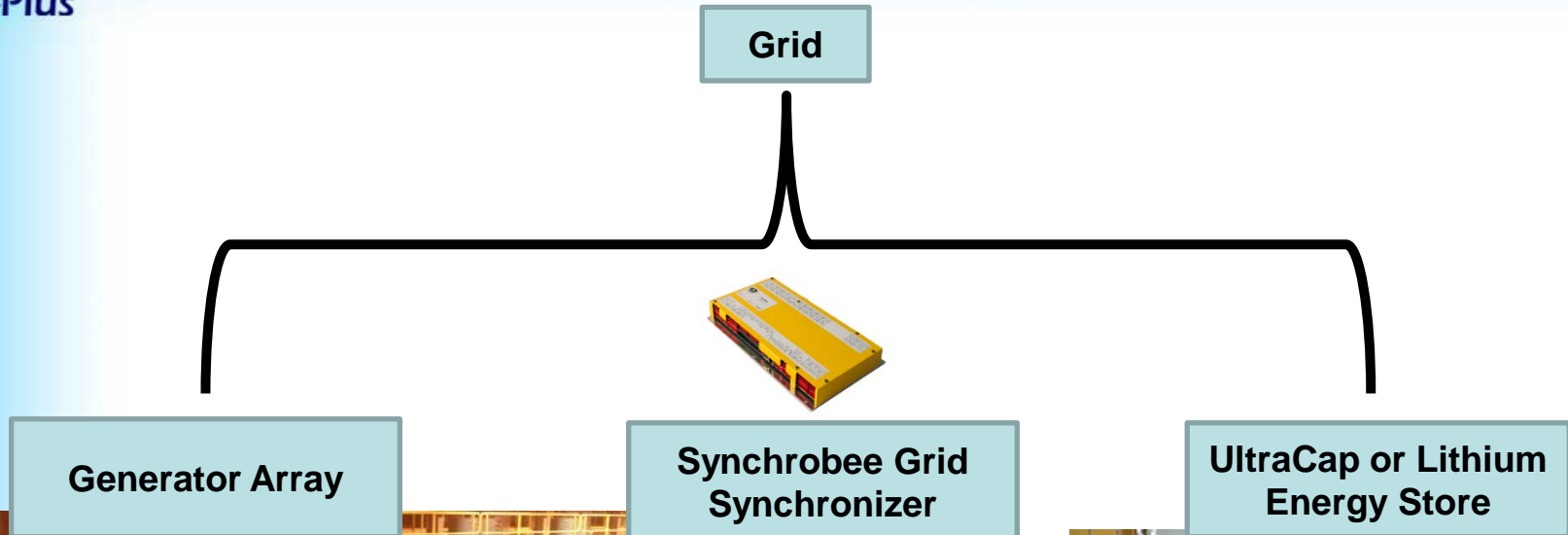
Hybrid Generation & Micro Grid



<http://www.zekatech.com>



Micro or Macro with Storage



Our Municipal Partners



**SUMMERSIDE
GREEN**

CREATING BUSINESS
OPPORTUNITIES THROUGH
INNOVATION

City of
Summerside
Prince Edward Island

**LET'S BUILD
THE FUTURE
TOGETHER!**

The graphic features a stylized landscape with a sun, clouds, raindrops, wind turbines, solar panels, a factory, a house with solar panels, a bicycle, a river with boats, and a large yellow circle containing the City of Summerside logo.



Proposal Introduction



The City of Summerside

is looking ahead to more innovation in the green technology sector by building on the infrastructure already developed. Across North America communities look to Summerside as a best practice model for leveraging sustainable green development as an integral part of an economic development strategy.

The variety of potential applications that can be developed and tested in a real-life environment in Summerside are endless. A few that resonate with existing priorities and key investments are:

- Electric Storage and Grid Integration
- Electric Vehicles (including Bus and Passenger Vehicle)
- Electric Car Charger Solutions with Battery Storage
- Security and Surveillance
- Appliance Control
- Residential Environmental Controls
- Smart Home Innovation
- Medical Home Care Solutions
- Solar Energy Integration
- Bio Fuel from Waste
- Advanced IT Development
- Interoperability for Big Data



*Focusing on **Blackout protection & Energy Storage**, AKA and the City of Summerside PEI are partnered to improve the energy storage balance for the municipality and region, while offering a test environment and integration partner for your innovative technology*

Partner with us in Summerside & PEI

Contact Info

For more information and for interest to participate please contact:



Mike Bonga,
AKA / Summerside
Technology Partners
mikebonga@aka-group.com
+1 506 639 8666

Sales@aka-group.com
23 Brook Street
Montague, PE
Canada
C0A 1R0

www.aka-group.com