



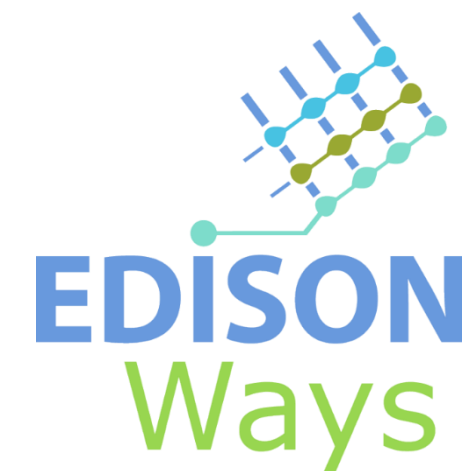
CELTIC-NEXT Proposers Day



7th of September 2022, Online via WebEx

Pitch of the Project Proposal

Green4Building



Remi Bonnefoi

Remi.Bonnefoi@edisonways.com

Teaser



What is the main benefit of the idea/proposal?

Offer a comprehensive solution to tackle climate challenges in the building sector thanks to our innovative solution

What makes the added value?

Our patented innovation makes your building sustainable, smart and safe.

Why should I participate in the project?

We offer you the opportunity to bring about breakthrough innovation in electrical installation. It has not evolved in 150 years.



Organisation Profile



Created in 2014 in Montauban, France

New electric network (TRL 7)

Solution applied in the building sector



**Jean-Jacques
CARRILLO,
CEO**

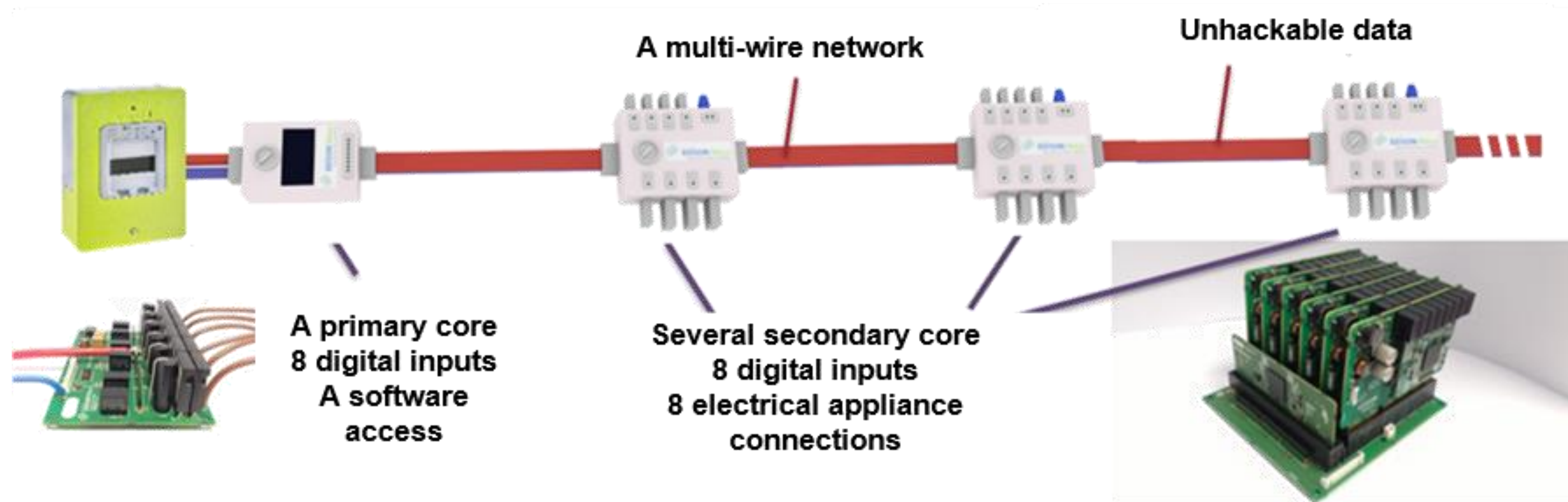


**Rémi BONNEFOI,
CTO**



Proposal Introduction

Edison Ways offers a revolutionary electrical architecture, that uses 5 times less copper in the installation ;



Energy
management



Demand
response



A smart building in a
few clicks



An unparalleled level of
security

Proposal Introduction



Duration 24 months

Objective : integrate all the technologies in a single comprehensive solution for smart building and set it up in a model building

Schedule

WP1 :

Define technical specifications with the partners

Establish the roadmap

WP2 :

It would evolve according to the WP1



Partners

Existing consortium

- *Edison Ways, France, specialised on electrical networks*

Looking for partners

- *From Spain, Germany, Switzerland, that : develop green solutions for the building sector, namely insulation solutions, solar panels, HVAC solutions, stormwater management solutions, HVAC new solutions*

and /or manufacture electronic cards



Contact Info

For more information and for interest to participate please contact:

Jean-Jacques CARROLLO, Rémi BONNEFOI
jeanjacques.carrillo@edisonways.com ;
remi.bonnefoi@edisonways.com
+33 6 98 27 31 44 ; +33 6 74 70 68 48
82000
www.edisonways.com



Presentation available via:



13th Sept. 15 CET

Join the follow-up Telco

[Join meeting](#)

Join by meeting number

Meeting number (access code): **2744 679 8326**

Meeting password: **MMh pz98MqY2**

Join by phone

+49-6196-7819736 Germany Toll

[Can't join the meeting?](#)

